

UTP7204GE-PD



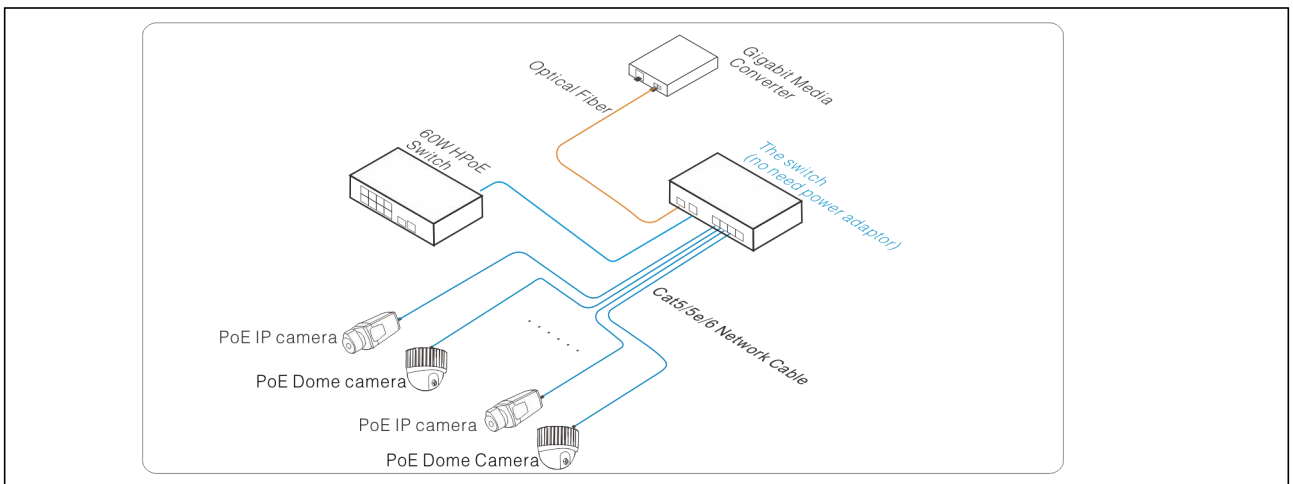
- Provide 1*10/100/1000Base-T PoE In Port(60W PoE input);
- Provide 4*10/100/1000Base-T PoE out Ports(30W PoE output, support IEEE802.3af/at);
- Provide a 1000Base-X SFP port;
- Support **PoE watchdog**(Detect POE device when it is frozen, reboot automatically);
- Redundant power design, support power hot backup;
- Support -40 to +75° C working temperature;
- Support 6KV surge protection,8KV/15KV ESD protection.



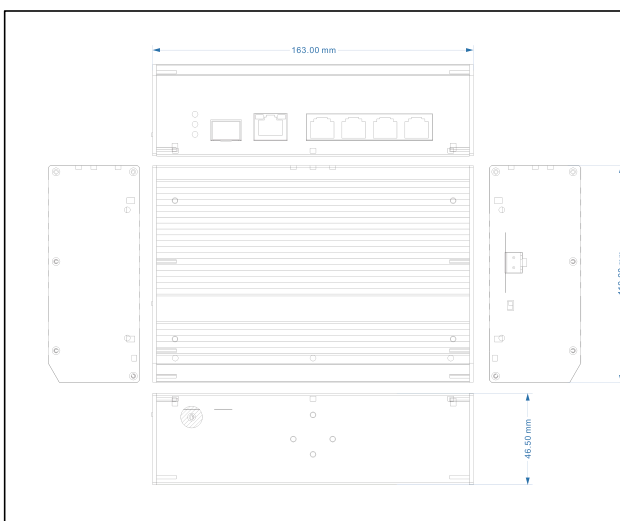
Introduction

It is an industrial full-gigabit PoE switch, the switch provides 1*10/100/1000Base-T PoE in port(60W PoE input), 4*10/100/1000Base-T PoE out ports (30W PoE output, support IEEE802.3af/at) and 1*1000Base-X SFP port. It supports PoE watchdog (Detect POE device when it is frozen, reboot automatically). It supports -40 to +75° C working temperature, 6KV surge protection,8KV/15KV ESD protection. It could be widely used in security network video surveillance, network engineering and other occasions.

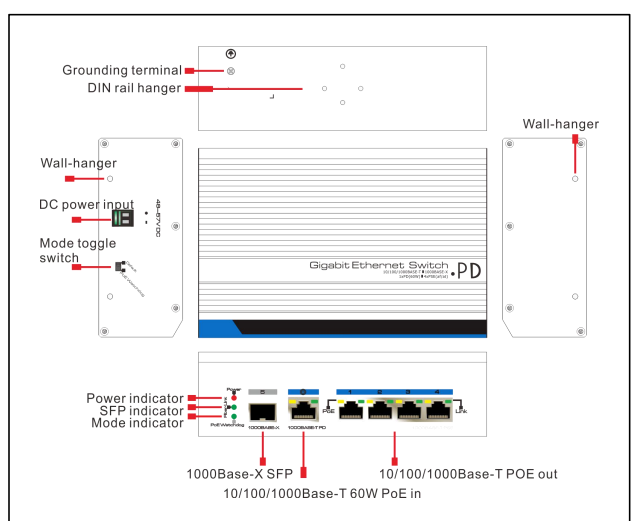
Application



Physical Features



Interface drawing



Specification

Model	UTP7204GE-PD
Downlink Ports	4* 10/100/1000Base-T 30W PoE output RJ45(IEEE802.3af/at PSE)
Uplink Ports	1*1000Base-X SFP slot 1*10/100/1000Base-T 60W PoE input RJ45(IEEE802.3 BT/at/at PD)
Network Standard	IEEE802.3、IEEE802.3u、IEEE802.3ab、IEEE802.3z IEEE802.3af/at
Switch Fabric	12Gbps
Throughput	8.9Mpps
Switch Architecture	Store and Forward
Memory Buffer	1Mbit
MAC Table	8K
Downlink PSE Ports(1 to 4)	IEEE 802.3af/at,end-span, single port ≤ 30W
Port 6 PoE in	Compatible with af(15W), at(30W), 60W(maxim and microsemi solution)
DC Power Input	48~57V DC
PoE Budge	If PD power input, PoE output ≤ 50W; If Power adaptor DC input, PoE output:120W max.
Lightning protection	6KV Execute : IEC61000-4-5
ESD	8KV Contact discharge 15KV Air discharge Execute : IEC61000-4-2
Power Dissipation	<5W
Work temperature	-40°C~75°C
Storage temperature	-40°C~85°C
Humidity(Non-condensin)	5%-95%
Dimension (L×W×H)	163mm×110mm×46mm
Weight	540g
Regulator	CE、FCC、ROHS

Package List

Designation	Quantity
UTP7204GE-PD	1
Power Adapter	0(Buy additional)
Hanger	2
Din rails hanger	1
User Manual	1

Related Products

Designation	Model
Industrial 4 Port Full-gigabit POE Switch	UTP7204GE-HPOE
Industrial 8 Port POE Fast Ethernet Switch	UTP7208E-POE-A1